

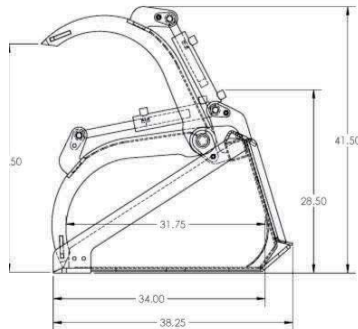


# GRAPPLES

## Heavy Duty Low Profile

### Bucket W/Grapple

60" Model #33270, 68" Model #33271  
 72" Model #33267, 78" Model #33272  
 80" Model #33273, 84" Model #33274  
 Also Available with Teeth



- Low profile for better visibility of the cutting edge
- Excellent for all your landscaping or demolition duties
- Reinforced bucket liner for longer life and less buckling

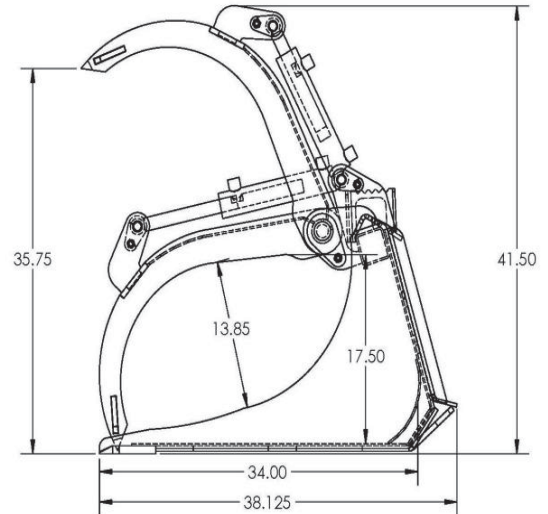
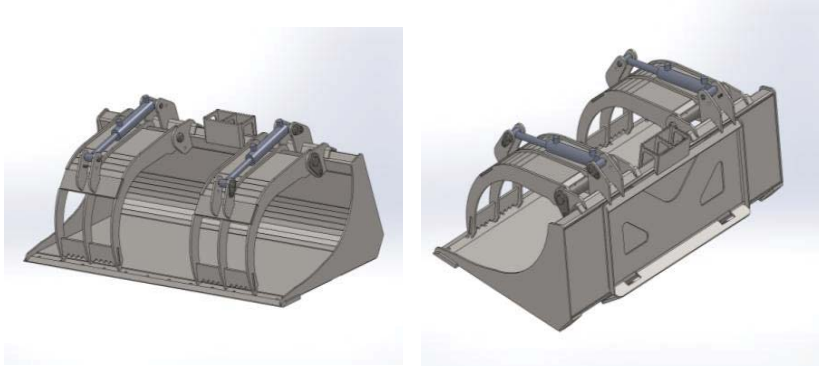
Specifications	
Overall Width	60", 68", 72", 78", 80" & 84"
Overall Height - Closed	28½"
Overall Height - Open	41½"
Overall Depth	38¼"
Grapple Opening	35½"
Depth of Bucket	34"
Main Body Thickness	3/16"
Side Cutting Edge	3/8" Grade 50
Wear Bars	1/2" Grade 50 - 10" Wide
Mounting Plate	5/16" HR Steel
Cutting Edge	3/4" x 6"
Grapple Arms	1/2" Grade 50 - Laser Cut
Cylinders	2" x 8" Welded
Hydraulic Couplers	Flat Face
Hydraulic Hoses	3/8"
PSI Max	3,000 PSI
Pivot Points	Grease Zerk
Struck Capacity cu. ft.	( 60" 13.2 ) ( 68" 15 ) ( 72" 15.9 ) ( 78" 17.5 ) ( 80" 17.75 ) ( 84" 18.5 )
Heaped Capacity cu. ft.	( 60" 15.8 ) ( 68" 18 ) ( 72" 19 ) ( 78" 20.5 ) ( 80" 20.12 ) ( 84" 22.25 )
Weights (Lbs.)	( 60" 827 ) ( 68" 867 ) ( 72" 872 ) ( 78" 917 ) ( 80" 952 ) ( 84" 972 )




# GRAPPLES

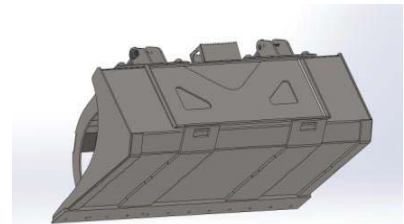


## Heavy Duty Low Profile Scrap Grapple

60" Model #33290, 68" Model #33291  
 72" Model #33292, 78" Model #33293  
 80" Model #33294, 84" Model #33295



-  Low profile for better visibility of the cutting edge
-  Excellent for all your landscaping or demolition duties
-  Reinforced bucket liner for longer life and less buckling



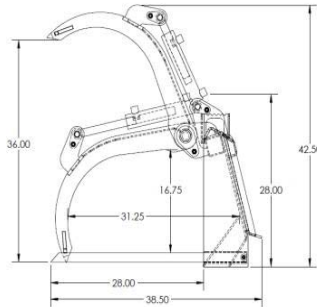
### Specifications




Overall Width	60", 68", 72", 78", 80" & 84"
Overall Height - Closed	28½"
Overall Height - Open	41½"
Overall Depth	38.125"
Grapple Opening	35¾"
Depth of Bucket	34
Main Body Thickness	3/16"
Side Plate	3/8" Grade 50
Wear Bars	1/2" Grade 50 - 10" Wide
Mounting Plate	5/16" HR Steel
Cutting Edge	3/4" x 6"
Grapple Arms	1/2" Grade 50 - Laser Cut
Cylinders	2" x 8" Welded
Hydraulic Hoses	3/8"
PSI Max	3,000 PSI
Pivot Points	Grease Zerks
Struck Capacity cu. ft.	(60" 13.2) (68" 15) (72" 15.9) (78" 17.5) (80" 17.75) (84" 18.5)
Heaped Capacity cu. ft.	(60" 15.8) (68" 18) (72" 19) (78" 20.5) (80" 20.12) (84" 22.25)
Weights (Lbs.)	(60" 842) (68" 882) (72" 897) (78" 937) (80" 980) (84" 996)



# Standard Manure Grapple

Model # 33246



-  Independent grapples with greaseable main pin
-  Excellent for many different materials including manure, brush, hay, straw and light demolition
-  Replaceable tines constructed of 1½ 1144 stress relieved steel, Ultimate Tensile Strength of 115,000 psi

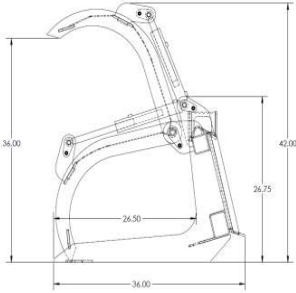
Specifications	
Width	72"
Overall Height - Closed	28"
Overall Height - Open	42½"
Overall Depth	38½"
Grapple Opening	36"
Depth of Bucket	31¼"
Replaceable Tines	1½" 1144 Steel
Space Between Tines	5¾"
Main Body	1/4" A36 HRP& O
Grapple Arms	3/8" Grade 50
Cylinders	2" x 8" – Welded Cross Tube
Hydraulic Couplers	Optional
Hydraulic Hoses	3/8"
PSI Max	3,000 PSI
Weight	72" = 809 lbs




## Compact Tractor Brush Grapples


60" Model #33132

72" Model #33126



 Gusseted between teeth for added strength

 Handle uneven, odd-shaped material

 Designed to be light but strong so tractor owners can use their tractor to its full potential

### Specifications

Width	60", 72"
Overall Height - Closed	26 <sup>3</sup> / <sub>4</sub> "
Overall Height - Open	42"
Overall Depth	36"
Grapple Opening	36"
Depth of Bucket	26 <sup>1</sup> / <sub>2</sub> "
Tines	5/16" - Grade 50
Top Tube	3" x 3" x 3/16"
Bottom Tube	3" x 4" x 3/16"
Grapple Arms	1/4" A-36
Cylinders	1 <sup>1</sup> / <sub>2</sub> " Bore
Hydraulic Couplers	Not Included
Hydraulic Hoses	3/8"
PSI Max	3,000 PSI
Pivot Points	Grease Zerks
Main Pin	1" x 20"
Cylinder Pins	1" x 5 <sup>1</sup> / <sub>2</sub> "
Weight	60" = 465 lbs 72" = 497 lbs

**Recommended for loaders up to 1500 lb total lift capacity**



GRAPPLES		RETAIL	WT.
33337	84" High Capacity Bucket w/Grapple	\$6272.00	1229
33270	60" HD Low Pro Bucket w/Grapple	\$3750.00	827
33271	68" HD Low Pro Bucket w/Grapple	\$4009.00	867
33267	72" HD Low Pro Bucket w/Grapple	\$4127.00	872
33272	78" HD Low Pro Bucket w/Grapple	\$4435.00	917
33273	80" HD Low Pro Bucket w/Grapple	\$4561.00	952
33274	84" HD Low Pro Bucket w/Grapple	\$4751.00	972
33270T	60" HD Low Pro Tooth Bucket w/Grapple	\$4200.00	908
33271T	68" HD Low Pro Tooth Bucket w/Grapple	\$4496.00	959
33267T	72" HD Low Pro Tooth Bucket w/Grapple	\$4636.00	969
33272T	78" HD Low Pro Tooth Bucket w/Grapple	\$4975.00	1022
33273T	80" HD Low Pro Tooth Bucket w/Grapple	\$5116.00	1060
33274T	84" HD Low Pro Tooth Bucket w/Grapple	\$5330.00	1086
33290	60" HD Low Pro Scrap Grapple	\$4078.00	842
33291	68" HD Low Pro Scrap Grapple	\$4296.00	882
33292	72" HD Low Pro Scrap Grapple	\$4438.00	897
33293	78" HD Low Pro Scrap Grapple	\$4701.00	937
33294	80" HD Low Pro Scrap Grapple	\$4910.00	980
33295	84" HD Low Pro Scrap Grapple	\$5091.00	996
33192	66" Standard Manure Grapple	\$3569.00	780
33246	72" Standard Manure Grapple	\$3771.92	809
33132	60" Compact Tractor Grapple	\$2485.00	465
33126	72" Compact Tractor Grapple	\$2602.00	497
33267-XHD	72" XHD Low Pro Bucket w/Grapple	\$4550.00	1160



HD LOW PRO BUCKET  
W/GRAPPLE



STD MANURE GRAPPLE



COMPACT TRACTOR  
BRUSH GRAPPLE



4-2022

Prices and Specifications may be subject to change without notice. Prices do not include shipping or setup.